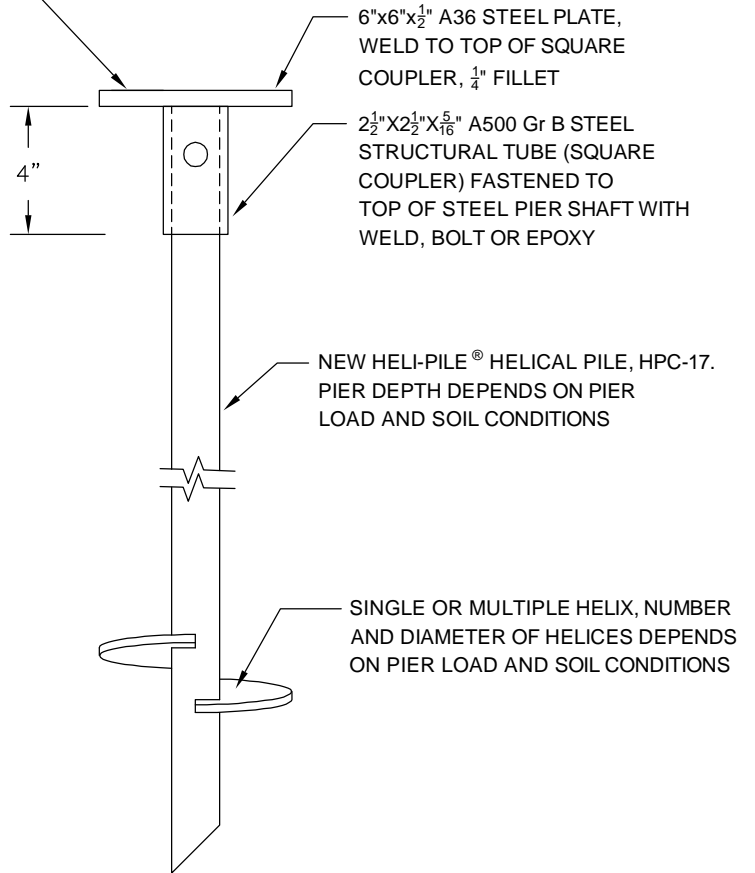


**PC-175
FOR HPC-17**

NEW CONSTRUCTION FLAT
PLATE BRACKET
FOR COMPRESSION APPLICATIONS
FOR HELI-PILE® HELICAL PILE HPC-17



THE ULTIMATE MECHANICAL COMPRESSION CAPACITY OF THIS BRACKET IS 110,000 LBS WHEN BOLTED, WELDED, OR EPOXY GLUED TO THE STEEL PIER SHAFT.

WHEN BOLTED WITH AN ASTM A193 Gr B7 $\frac{7}{8}$ " DIAMETER BOLT, EQUAL OR BETTER, THE ULTIMATE MECHANICAL TENSION CAPACITY IS 90,000 LBS

**NEW CONSTRUCTION FLAT PLATE COMPRESSION BRACKET - SQUARE COUPLER
FOR HELI-PILE® HPC-17 HELICAL PILES**

NO SCALE

THIS DRAWING AND THE INFORMATION CONTAINED HEREON ARE THE PROPERTY OF IMR, Inc. THIS DRAWING IS INTENDED FOR THE SOLE USE OF IMR, Inc., AND ITS AUTHORIZED CLIENTS ONLY.

HELI-PILE®



IMR, Inc. - DENVER
5135 Ward Road, Wheat Ridge, Colorado, 80033 USA
303-423-0591 Fax: 303-423-9155
www.helipile.com

**SPECIFICATION
SHEET**

**NEW CONSTRUCTION
COMPRESSION BRACKET**

DRAWN BY: RJV ENGINEER: JSP

PC-175.DWG SHEET 1 OF 1
DATE: 9/2/09 REVISION: 0