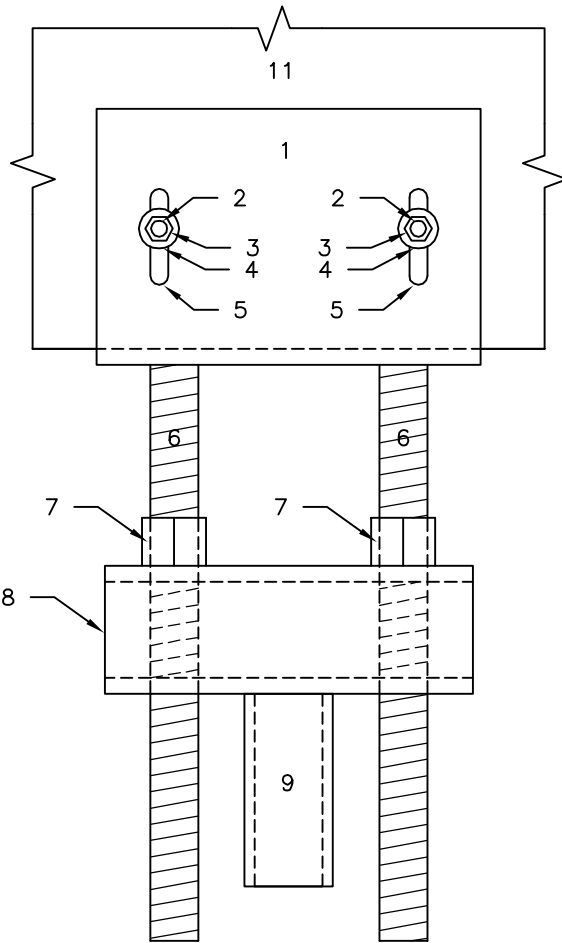


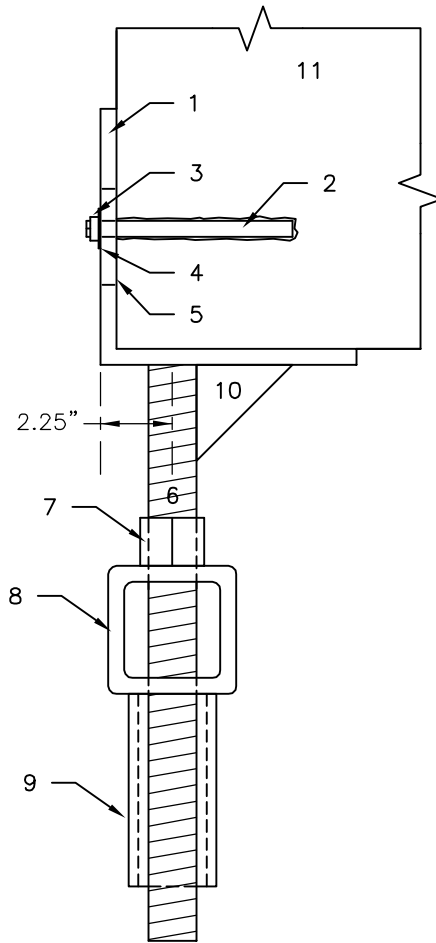
THIS DRAWING AND THE INFORMATION CONTAINED HEREON ARE THE PROPERTY OF IMR, Inc. THIS DRAWING IS INTENDED FOR THE SOLE USE OF IMR, Inc., AND ITS AUTHORIZED CLIENTS ONLY.

# UP-300

## UNDERPINNING BRACKET



**FRONT ELEVATION**  
NO SCALE



**SIDE ELEVATION**  
NO SCALE

1. STRUCTURAL ANGLE: 8" X 8" X  $\frac{1}{2}$ ", 12" LONG
2. CONCRETE EXPANSION BOLT:  $\frac{1}{2}$ " X 5- $\frac{1}{2}$ " REDHEAD OR EQ.
3. NUT ON EXPANSION BOLT
4. WASHER ON EXPANSION BOLT
5. SLOTTED HOLE: 3" X  $\frac{9}{16}$ "
6. THREAD ROD: 1- $\frac{1}{2}$ " WILLIAMS GR 75, 18" LONG
7. NUT: 1- $\frac{1}{2}$ "
8. STRUCTURAL TUBE: 4" X 4" X  $\frac{1}{2}$ ", 11.5" LONG
9. PIPE SLEEVE: 4" SCH 40 PIPE, 8" LONG
10. GUSSET PLATE: 3" X 3" X  $\frac{1}{2}$ "
11. CONCRETE FOOTING OR GRADE BEAM

NOTE: ALL ANGLE STEEL, PLATE STEEL, & STRUCTURAL TUBING IS A36.  
ALL PIPE IS 35 KSI MIN YIELD.  
ULTIMATE CAPACITY 200,000 LBS

U.S. PATENT NO. 5,800,094

**HELI-PILE®**  
 IMR, Inc. - DENVER  
 5135 Ward Road, Wheat Ridge, Colorado, 80033 USA  
 303-423-0591 Fax: 303-423-9155  
 www.helipile.com

**SPECIFICATION SHEET**

DRAWN BY: RJV ENGINEER: JSP

**UP-300 UNDERPINNING BRACKET**

UP-300.dwg SHEET 1 OF 1  
 DATE: 05/21/10 REVISION: 2